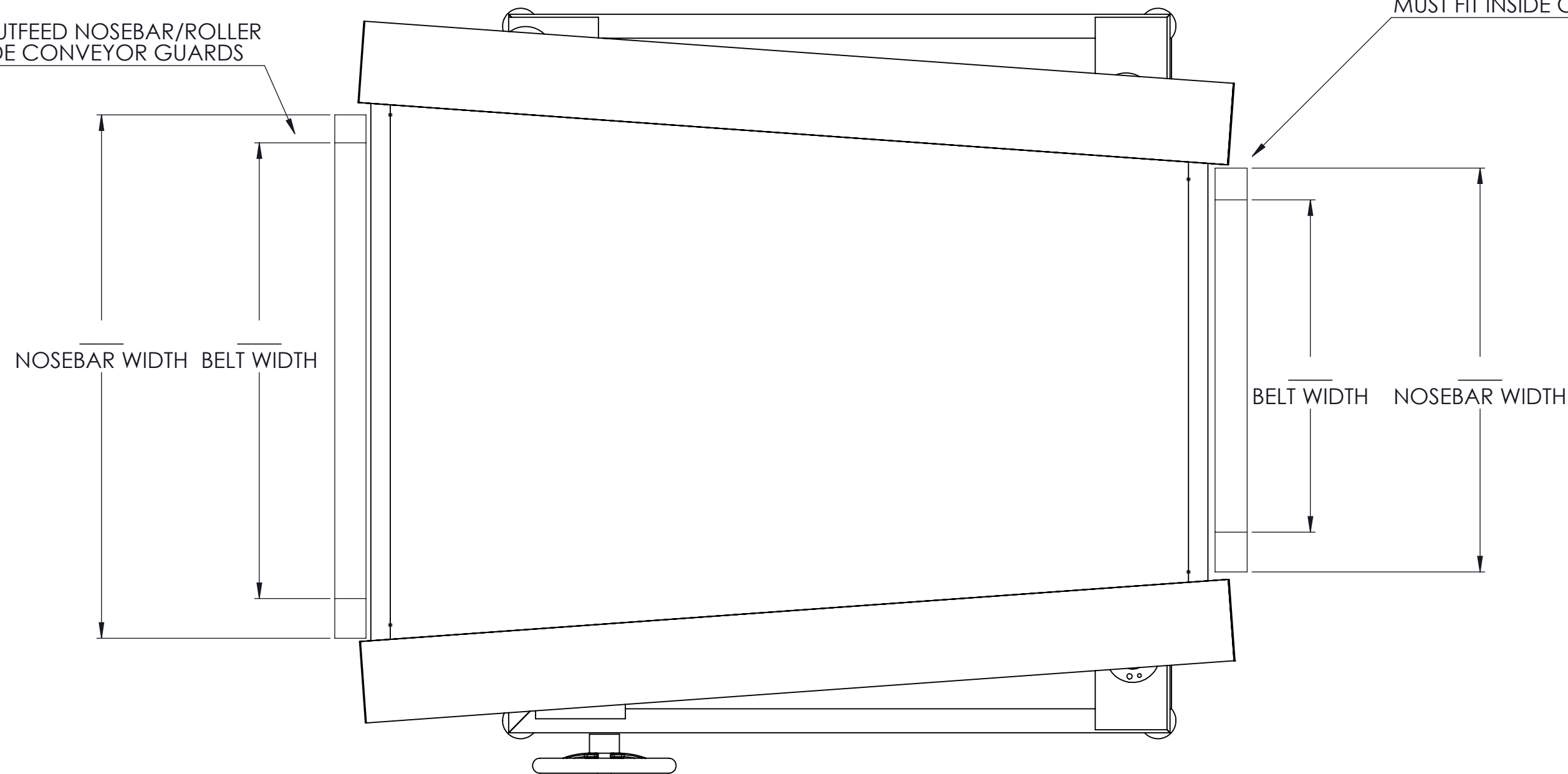
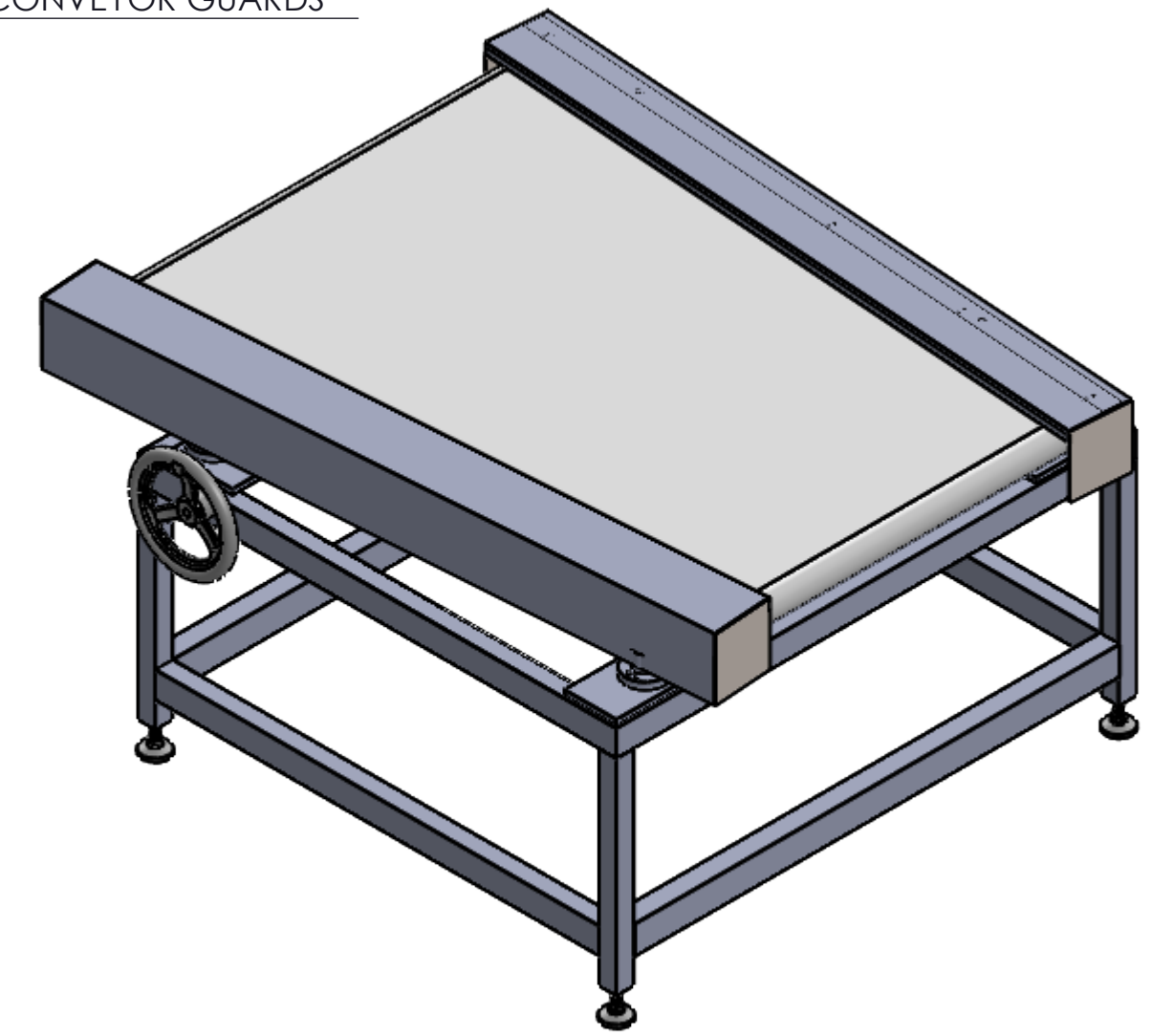


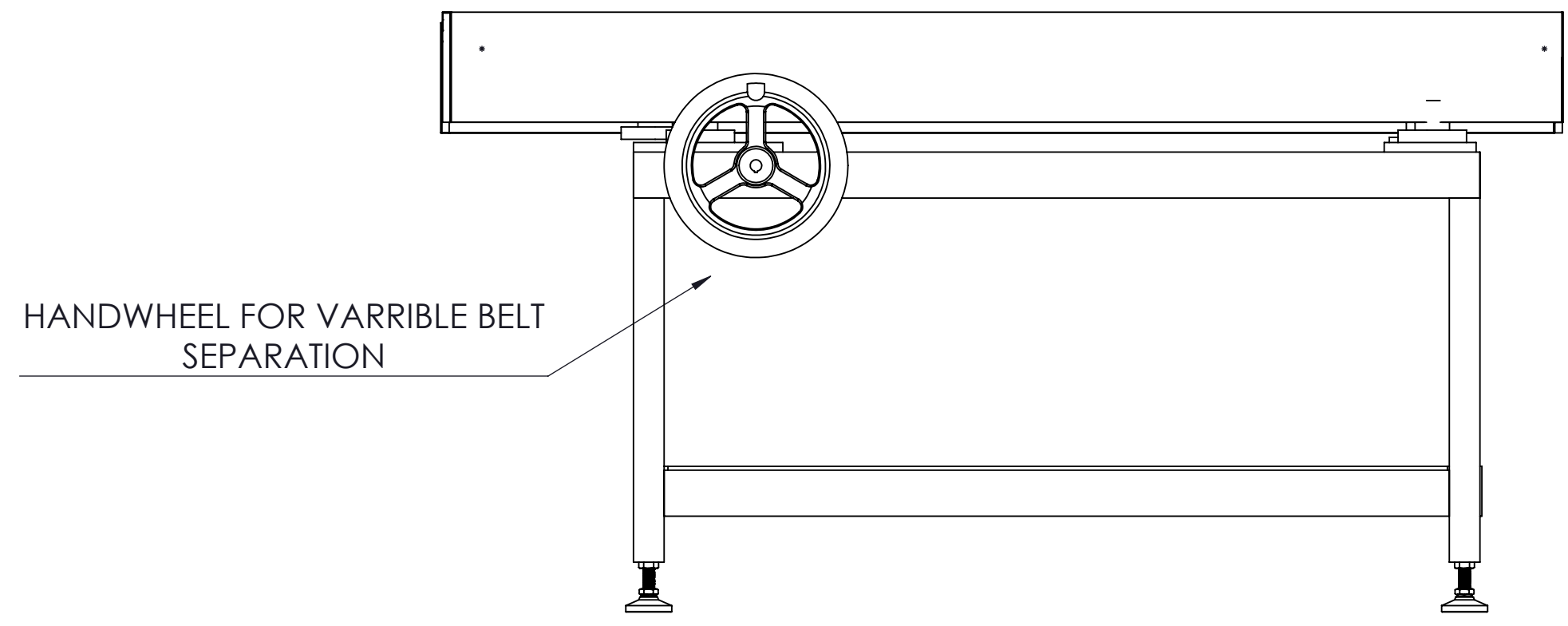
INFEEED OR OUTFEED NOSEBAR/ROLLER
MUST FIT INSIDE CONVEYOR GUARDS



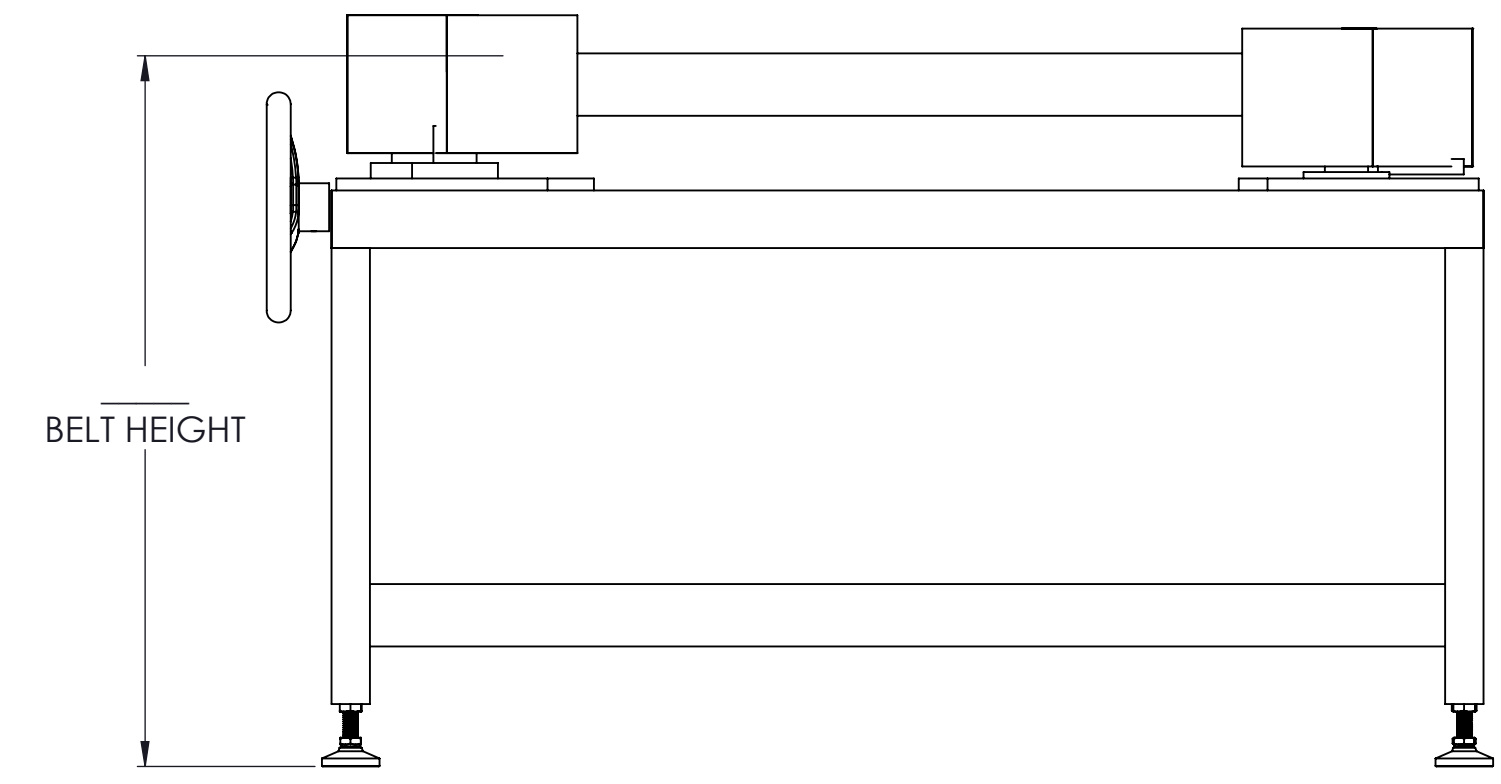
INFEEED OR OUTFEED NOSEBAR/ROLLER
MUST FIT INSIDE CONVEYOR GUARDS



DISTANCE BETWEEN INFEEED
AND TAKE-OFF CONVEYOR _____



HANDWHEEL FOR VARRIBLE BELT
SEPARATION



BELT HEIGHT

ABOVE DRAWING IS PRELIMINARY ONLY

FOR EXAMPLE PURPOSES ONLY

	DRAWN BY: CAE DATE: 6/23/2016	MATERIAL:	TITLE:
	CHECKED BY: -- DATE: DD/MM/YYYY	FINISH:	SEPARATING/ CONVERGING CONVEYOR PRELIMINARY DRAWING
	LAST SAVED BY: CEmilius DATE: 2/14/2018		
	UNLESS OTHERWISE SPECIFIED, DIMENSIONS ARE IN INCHES: TOLERANCES UNLESS NOTED OTHERWISE:	.X ± .03 .XX ± .010 .XXX ± .005 ANG ± 0°30'	SCALE 1:1 SHEET SIZE C
SURFACE FINISH 63	BREAK ALL SHARP EDGES DIMENSIONAL LIMITS APPLY AFTER FINISHING	SHEET 1 OF 1	QUOTED COMPANY: REV
THIRD ANGLE PROJECTION			