

# ROD NETWORK BELT

## *with carriers*



### TOP characteristics

- For carrying & positioning larger products
- Can be combined with different attachments
- Ideal for inclined and declined conveying of larger products



Carrier profiles are integrated in the rod network belt, larger products can be guided over inclines and declines.

### Applications

- Conveying of products across multiple levels
- Washing and cutting machines for e. g. asparagus
- Inclined conveying
- Declined conveying
- Sorting systems

### Materials used

- Carrier profiles and screw-on POM profiles
- Screw-on profiles made of 1.4305 stainless steel



### Temperature resistance

- Temperature range from POM -20° C to +90° C
- Temperature range of 1.4305 stainless steel from -40° C to +250° C

### Can be combined with

- ELT
- Guide chain
- Numerous attachments e. g. brushes and punched plate





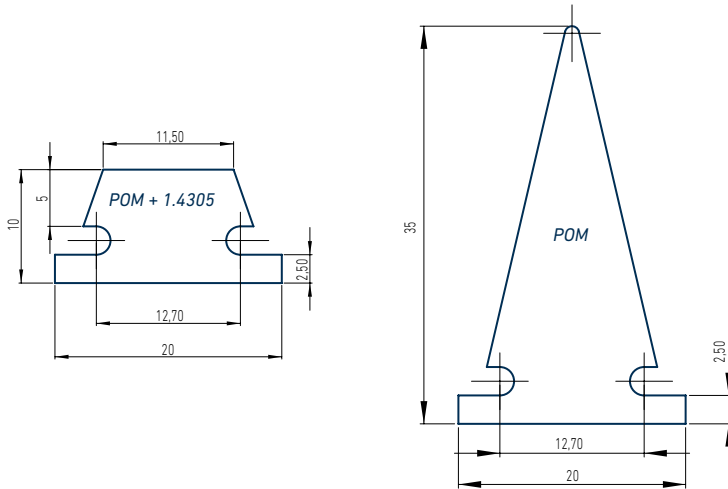
## ROD NETWORK BELT WITH CARRIERS – DIMENSIONS + MATERIAL

### Standard profiles

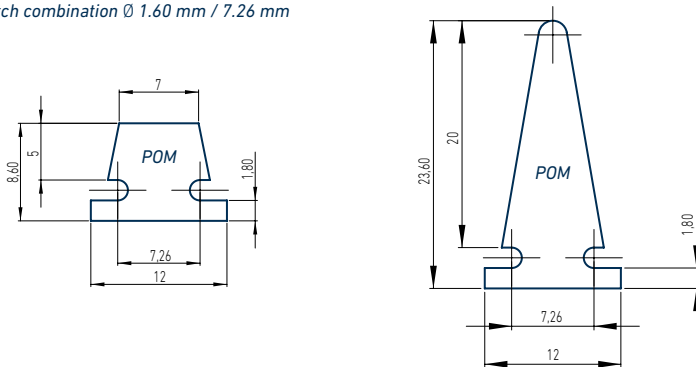
Cut to length or available in lengths of 2000 mm.



Wire/pitch combination  $\varnothing$  2.35 mm / 12.70 mm

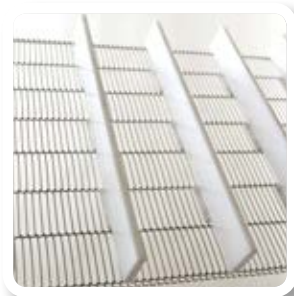


Wire/pitch combination  $\varnothing$  1.60 mm / 7.26 mm



### POM – polyoxymethylene:

- Thermoplastic polyurethane
- of no concern physiologically
- High level of rigidity, hardness and stability
- Characterised by low friction values
- Approved for use in food processing



Rod network belt with POM studs



Rod network belt with stainless steel studs



Rod network belt with individual POM studs in operation (washing and cutting machine for asparagus)



Rod network belt with POM studs in operation (inclined conveying of meat balls)